

SF16 Specifications

- Max Propeller Diameter: 16"
(406.4mm)
- Max Propeller Shaft Diameter: 2.00"
(50.8mm)
- 2 x Hydraulic Cylinder 7.7ci - 125cc
- Minimum Inboard Shaft Length: 500mm
(From "S" Point to Coupling Face)
- Propeller Shaft Angle: 6°
- Transom Angle: 6° and 45°
- Unit Weight: 91kg (Approx)
Excluding Propeller & Shafting
- Maximum Vessel Weight: (Indicative Only)
Single Drive: Up to 1.2 Tonnes
Twin Drive: Up to 2.5 Tonnes
Triple Drive: On application

Material:

Drive Body: Silicon Bronze
Rudder: Nibral
Propeller: Nibral

Notes:

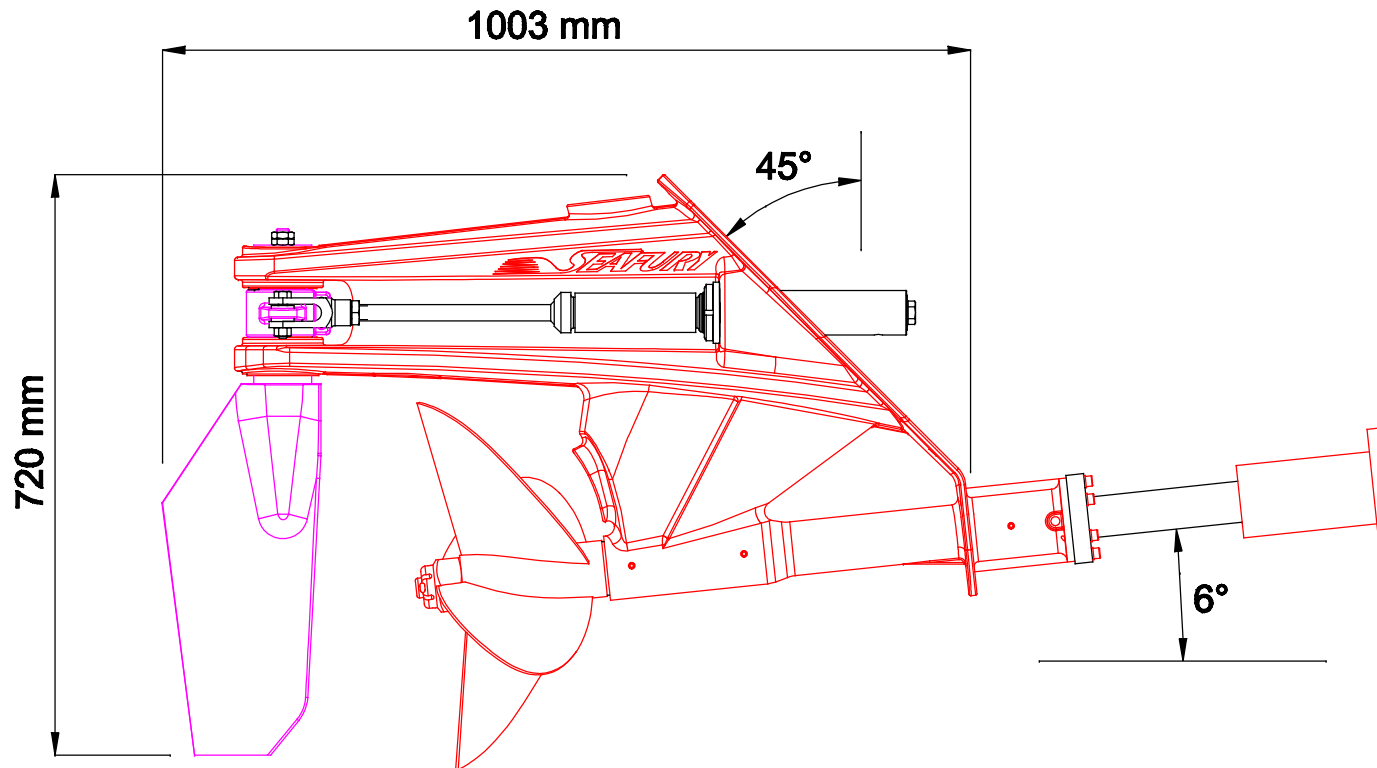
- Specifications are current as at date displayed in title panel below.
- "S" Measurement, bottom side of hull to center point of stem tube dimension, may vary for some vessels.
- Allow 280mm clearance above rudder for removal of rudder pin.
- All Seafury Surface Drives are supplied complete with propeller, shaft, seals and coupling to suit the application.

SEAFURY INTERNATIONAL LIMITED

| | | | | | |
|--------|----------------|----------------|--------|-----------------|---------|
| Title: | SF16 Side View | | Model: | SF16 | |
| Date: | 2010_09_01 | Drawing Scale: | NTS | Drawing Number: | SF16-02 |

©2010 Copyright

THIS DOCUMENT CONTAINS INFORMATION PROPRIETARY TO SEAFURY INTERNATIONAL LTD AND SHALL NOT BE REPRODUCED OR TRANSFERRED TO OTHER DOCUMENTS OR DISCLOSED TO OTHERS OR USED FOR ANY PURPOSE OTHER THAN THAT FOR WHICH IS FURNISHED, WITHOUT THE WRITTEN PERMISSION OF SEAFURY INTERNATIONAL LTD.



1003 mm

45°

720 mm

6°

ALL DIMENSIONS ARE IN MM UNLESS OTHERWISE STATED

THESE DRAWINGS ARE INTENDED AS A GENERAL GUIDE ONLY. SEAFURY INTERNATIONAL LIMITED RESERVES THE RIGHT TO CHANGE SPECIFICATIONS WITHOUT NOTICE OR OBLIGATION.