

### SF32 Specifications

- Max Propeller Diameter: 32"  
(812.8mm)
- Max Propeller Shaft Diameter: 3.5" (88.9mm)
- 2 x Hydraulic Cylinder 20.4ci - 322cc
- Minimum Inboard Shaft Length: 750mm  
(From "S" Point to Coupling Face)
- Propeller Shaft Angle: 8°
- Transom Angle: 45°
- Unit Weight: 215kg(Approx)  
Excluding Propeller & Shafting
- Maximum Vessel Weight: (Indicative Only)  
Single Drive: Up to 10 Tonnes  
Twin Drive: Up to 28 Tonnes  
Triple Drive: On application  
Quad Drive: On application

**Material:**

- Drive Body: Silicon Bronze
- Rudder: Nibral
- Propeller: Nibral

**Notes:**

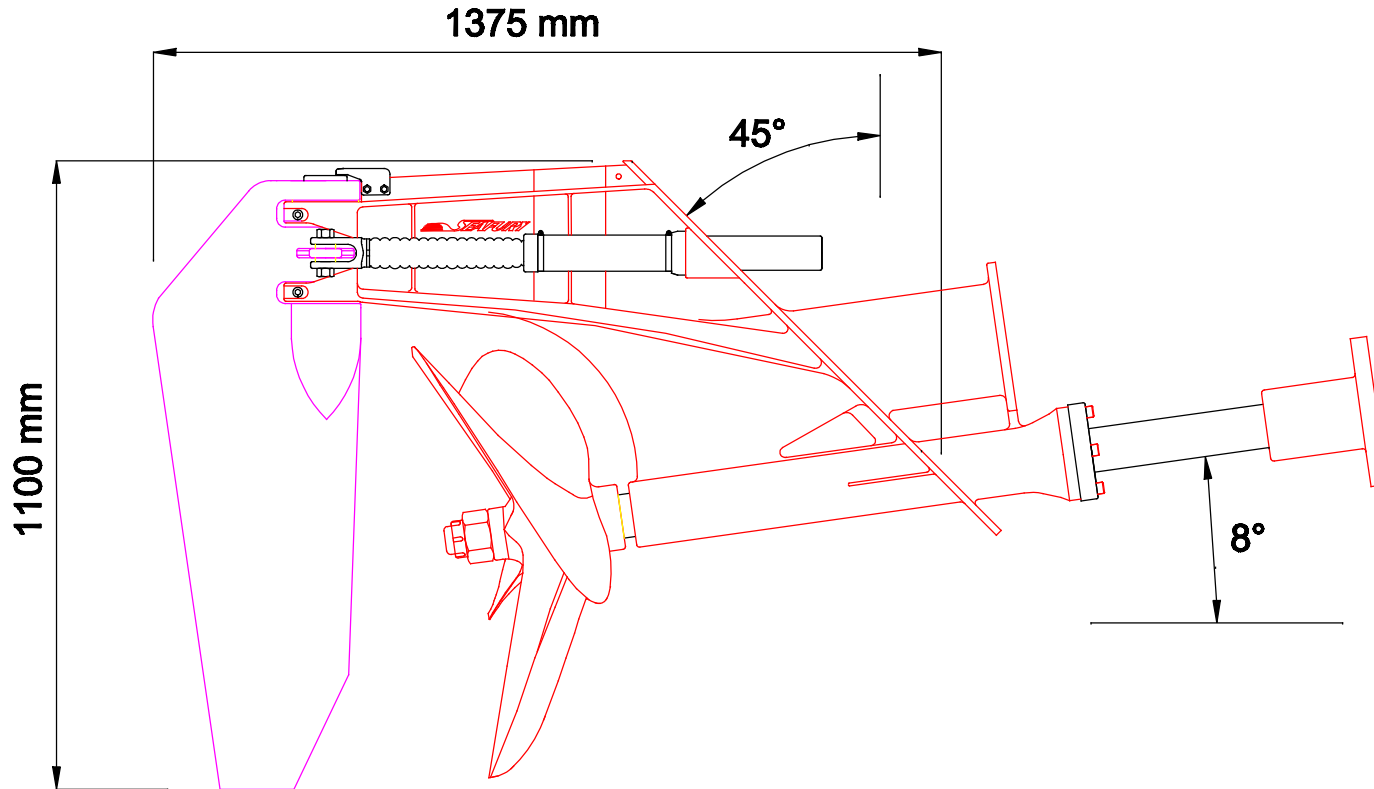
1. Specifications are current as at date displayed in title panel below.
2. "S" Measurement, bottom side of hull to center point of stern tube dimension, may vary on some vessels.
3. Allow 280mm clearance above rudder for removal of rudder pin.
4. All Seafury Surface Drives are supplied complete with propeller, shaft, seals and coupling to suit the application.

SEAFURY INTERNATIONAL LIMITED

Title: SF32 Side View	Model: SF32	Drawing Number: SF32-02
Date: 2010_09_01	Drawing State: NTS	

© 2010 Copyright

THIS DOCUMENT CONTAINS INFORMATION PROPRIETARY TO SEAFURY INTERNATIONAL LTD AND SHALL NOT BE REPRODUCED OR TRANSFERRED TO OTHER DOCUMENTS OR DISCLOSED TO OTHERS OR USED FOR ANY PURPOSE OTHER THAN THAT FOR WHICH IS FURNISHED, WITHOUT THE WRITTEN PERMISSION OF SEAFURY INTERNATIONAL LTD.



ALL DIMENSIONS ARE IN MM UNLESS OTHERWISE STATED

THESE DRAWINGS ARE INTENDED AS A GENERAL GUIDE ONLY. SEAFURY INTERNATIONAL LIMITED RESERVES THE RIGHT TO CHANGE SPECIFICATIONS WITHOUT NOTICE OR OBLIGATION.